

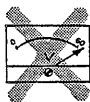
PLZ50WU, 150WU, 300WU

Electronic load unit Instruction Manual (Precautions and installing procedure)

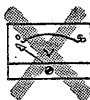
<PRECAUTIONS>



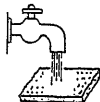
○ The Load units are cooled by the fan of the rack mount frame. Do not use the units being removed from the frame.



○ Do not apply a voltage of 60 volts DC or more to the input circuit of the Load. Note that the Load may be damaged if such voltage is applied to it.

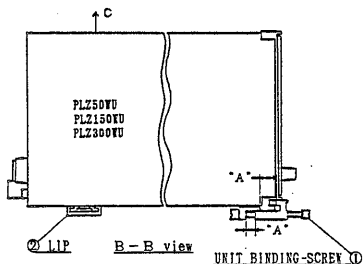


○ When applying a voltage or feeding a current to the Load, make certain that it is connected in the correct polarity to the Load. If it is connected in the wrong polarity, the Load may be damaged. (The Load has a fuse to protect it against this type of failure.)



○ Clean the dust filter at appropriate intervals. If it is clogged, cooling power will be degraded.

<TO INSTALL LOAD UNIT(S) IN RACK MOUNT FRAME>



○ Installing Procedure

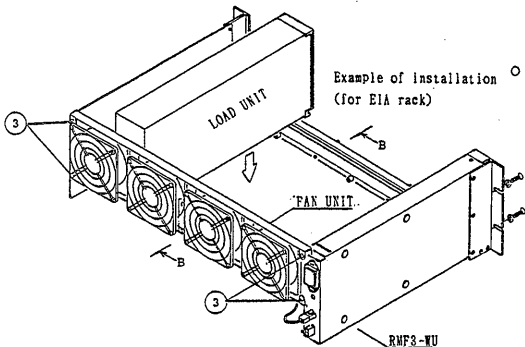
Loosen the four unit binding-screws ① at the front of RMP3-WU and wide the gap "A". (B-B view)

○ Loosen the four fan unit binding-screws ③.

○ Put the Load Unit in the frame. Make sure that the lip ② is in the groove.

○ Move the Load Unit to the required position

○ Tighten the four unit binding-screws ①.



○ Tighten the four fan unit binding-screws ③.

<Operation method> Read the PLZ-WU Series Electronics Load Instruction Manual